

IM SERIES



Industrial Monitor

The CIMON IM Series Industrial Monitor is designed to provide striking and functional displays for remotely-installed PCs, offering compact installation and ample space savings in industrial settings.

Standard

CM-IM-12W-C-D

CM-IM-15W-C-D

CM-IM-21W-C-D

High-Brightness

CM-IM-12W-CH-D

CM-IM-15W-CH-D

Product Highlights

- Robust aluminum enclosures
- Crisp 16.7M-color widescreen display
- Available in 12", 15", or 21" sizes to suit various applications
- High-brightness options with up to 1,000cd/m² luminance
- Up to 1000:1 contrast ratio
- Versatile viewing angles up to 89-degrees
- 10-point capacitive touch
- HDMI, DP, DVI, and VGA display port options
- USB touch interface
- VESA mount compatible



VESA mount compatible

HDMI, DP, DVI, and VGA display ports



Sharp



Slim



Efficient



Versatile

Functional

Type	Standard	High-Brightness	Standard	High-Brightness	Standard
Part Number (CM-IM...)	12W-C-D	12W-CH-D	15W-C-D	15W-CH-D	21W-C-D
Enclosure	Front	Aluminum			
	Rear	Aluminum			
LCD Size	12.1 inch		15.6 inch		21.5 inch
Resolution	1280x800 WXGA (16:10)		1920x1080 FHD (16:9)		
Backlight	LED				
Luminance	600cd/m ²	1,000cd/m ²	450cd/m ²	1,200cd/m ²	400cd/m ²
Display Colors	16.7M Colors				
Contrast Ratio	1000:1		800:1		1000:1
View Angles (R/L/U/D)	85° / 85° / 85° / 85°		89° / 89° / 89° / 89°		
Active Area (mm)	261.12(H) x 163.2(V)		344.16(H) x 193.59(V)		476.064(H) x 267.786(V)
Backlight Life	50,000 hours				
Touch	10-Point Capacitive				
Touch Interface	USB				
Display Ports	1 x HDMI, 1 x DP, 1 x DVI, 1 x VGA				
Power Supply	DC 9~36V				
Power Consumption	Max 16.5 W		Max 20.3 W	Max 30.8 W	Max 22.7 W
Agency Approvals	UL	UL61010-1 / UL61010-2-201 (E231117)			
	CE	Electromagnetic Compatibility Directive 2014/30/EU (EMC)			
	FCC	The 47 CFR Part15 Of FCC Requirement			
	KC	Registration of Broadcasting and Communication Equipments			
	Protection Class	IP68 (front), IP69K (front)			IP66 (front), IP69K (front)

Environmental

Type	Standard	High-Brightness	Standard	High-Brightness	Standard
Part Number (CM-IM...)	12W-C-D	12W-CH-D	15W-C-D	15W-CH-D	21W-C-D
Operating Temperature	-20°C – +70°C (-4 – +158°F)				0°C – +50°C (32 – +122 °F)
Storage Temperature	-20°C – +80°C (-4 – +176 °F)				-20°C – +60°C (-4 – +140 °F)
Operating Humidity	10%–90% RH (Below 29°C, No dew condensation)				
Storage Humidity	10%–90% RH (Below 39°C, No dew condensation)				

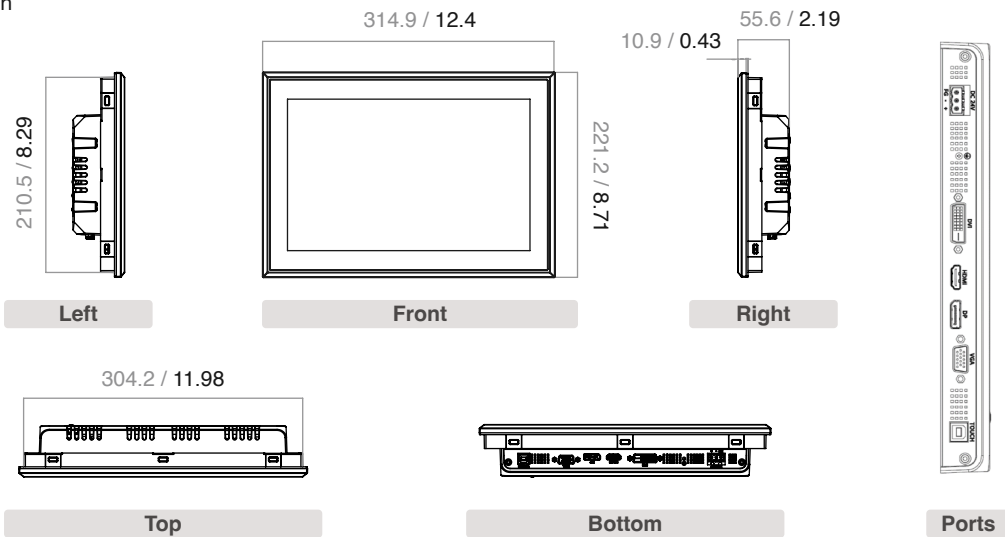
Physical

Model	All IM-12W Models	All IM-15W Models	All IM-21W Models
Dimensions	314.9 x 221.2 x 55.6 mm (12.4 x 8.71 x 2.19 in)	394.2 x 248.5 x 55.6 mm (15.52 x 9.78 x 2.19 in)	545.2 x 334.8 x 59.9 mm (21.46 x 13.18 x 2.36 in)
Panel Cut	305 x 212 mm (12.01 x 8.35 in)	385 x 239 mm (15.16 x 9.41 in)	536 x 326 mm (21.10 x 12.83 in)
Weight	2.6 kg (5.73 lb)	3.7 kg (8.16 lb)	6.5 kg (14.33 lb)
VESA Mount	100 x 100 mm (3.94 x 3.94 in)		

Spec Drawings

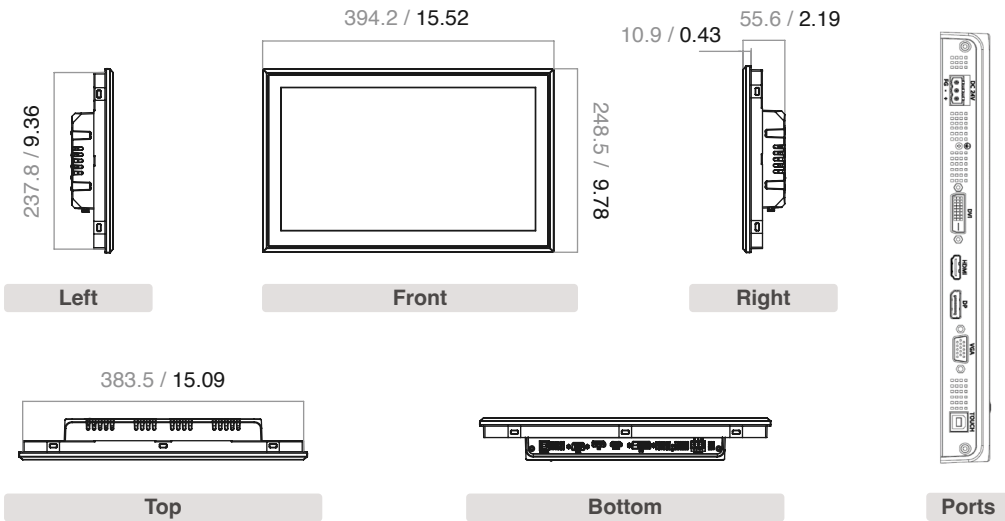
All IM-12W Models

Units: mm / in



All IM-15W Models

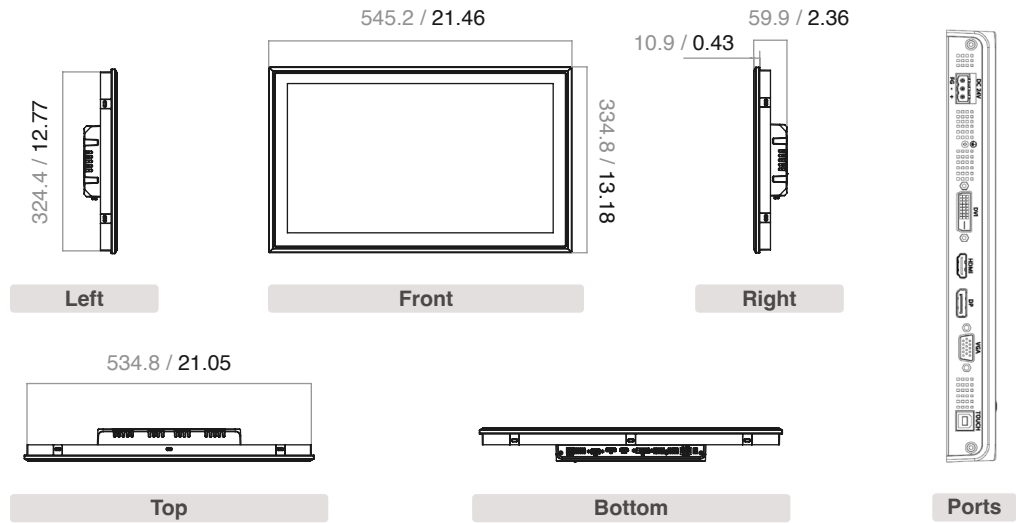
Units: mm / in



Spec Drawings

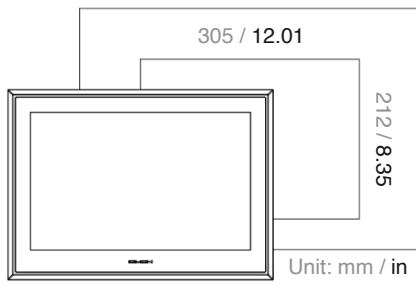
All IM-21W Models

Units: mm / in



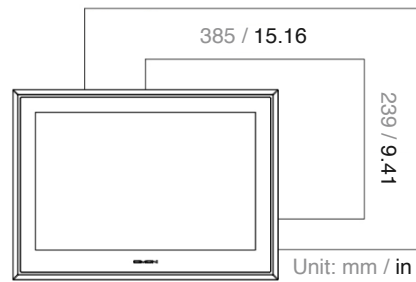
Installation

All IM-12W Models



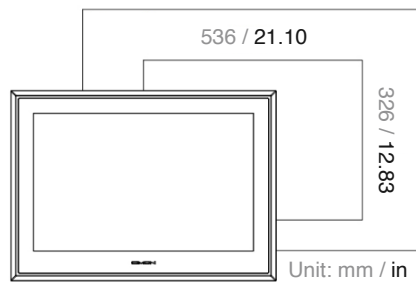
Panel Cut

All IM-15W Models



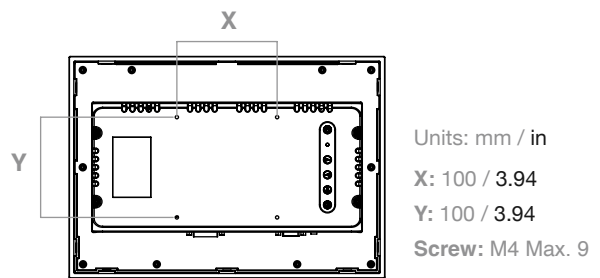
Panel Cut

All IM-21W Models



Panel Cut

All IM Series Models



VESA Mount