

# 70000 SERIES



## Industrial Panel PC

CIMON 70000 Series IPC is an industrial computer that runs on Windows 11 IoT/ Windows 11 Pro OS and an Intel CPU. CIMON's Industrial PC differs from traditional PCs by accounting for your automation needs, including device endurance, user experience, and task execution.

### Resistive

CM-iNP-71112W-R-D

CM-iNP-71115W-R-D

CM-iNP-71121W-R-D

### Capacitive

CM-iNP-71112W-C-D

CM-iNP-71115W-C-D

CM-iNP-71121W-C-D

### Product Highlights

- Fast start-up, quick processing speeds, and greater functionality with the 11th Gen Intel® Core™ i7-1185G7E processor.
- FCC, CE, KC, IP68 and IP69K certified for demonstrated durability and dependability.
- Silent fanless operation, improved reliability, reduced maintenance requirements, and better dust and other contaminants resistance.
- Deployable with or without an operating system, supporting Windows 11 IoT Enterprise (Standard) or Windows 11 Pro.
- SSD 250GB additional storage option.
- UWF and EWF protect the integrity of system volume and RAM against unauthorized write operations, improving lifespan and reliability.
- Includes 2 x HDMI ports, 4 x USB 3.0 ports, 2 x gigabit Ethernet ports, and 2 x serial channels.
- Available in 12", 15", or 21" sizes to suit various applications.



VESA mount compatible



Fast



Reliable



Efficient



Secure

Functional

Resistive		CM-iNP-71112W-R-D	CM-iNP-71115W-R-D	CM-iNP-71121W-R-D
Capacitive		CM-iNP-71112W-C-D	CM-iNP-71115W-C-D	CM-iNP-71121W-C-D
Enclosure	Front	Aluminum		
	Rear	Aluminum		
CPU		11th Gen Intel® Core™ i7-1185G7E processor, Quad Core, 1.8 GHz (FANLESS)		
Memory		8GB DDR4 SDRAM (Max. 32 GB)		
Storage		SSD 500GB (M.2 / NVMe)		
Extra Storage Option		SSD 250 GB (2.5" / SATA)		
Operating System		Windows 11 IoT Enterprise (Standard) / Windows 11 Pro		
Graphics		Intel® Iris® Xe Graphics		
LCD Size		12.1 inch	15.6 inch	21.5 inch
Resolution		1280x800 WXGA (16:10)	1920x1080 FHD (16:9)	
Backlight		LED		
Luminance		600cd/m <sup>2</sup>	450cd/m <sup>2</sup>	400cd/m <sup>2</sup>
Backlight Life		50,000 hours		
Touch		Resistive / Capacitive		
Display Ports		2 x HDMI port		
COM 1		1 x RS232/422/485 port (default: RS232)		
COM 2		1 x RS-232 port		
Ethernet		Gigabit Ethernet, 2 x ports		
USB		4 x USB 3.0 ports		
Power Supply		DC 24 V		
Power Consumption		69W (MAX : 75W)	71W (MAX : 77W)	74W (MAX : 81W)
Utility Program		UWF, Winclon (Recovery System)		
Agency Approvals	CE	Electromagnetic Compatibility Directive 2014/30/EU (EMC)		
	FCC	The 47 CFR Part15 Of FCC Requirement		
	KC	Registration of Broadcasting and Communication Equipments		
	Protection Class	IP68 (front), IP69K (front)		IP66 (front), IP69K (front)

Environmental

Resistive		CM-iNP-71112W-R-D	CM-iNP-71115W-R-D	CM-iNP-71121W-R-D
Capacitive		CM-iNP-71112W-C-D	CM-iNP-71115W-C-D	CM-iNP-71121W-C-D
Operating Temperature		-20°C – +60°C (-4 – +140 °F)		0°C – +60°C (32 – +140 °F)
Storage Temperature		-20°C – +80°C (-4 – +176 °F)		-20°C – +60°C (-4 – +140 °F)
Operating Humidity		10%–90% RH (Below 29°C, No dew condensation)		
Storage Humidity		10%–90% RH (Below 39°C, No dew condensation)		

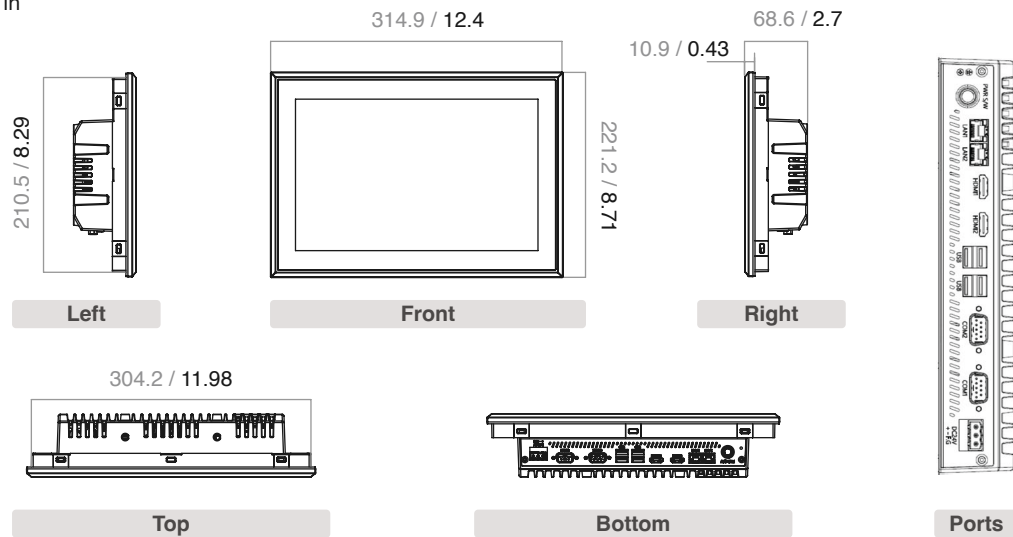
Physical

Model	All iNP-71112W Models	All iNP-71115W Models	All iNP-71121W Models
Dimensions	314.9 x 221.2 x 68.6 mm (12.4 x 8.71 x 2.7 in)	394.2 x 248.5 x 68.6 mm (15.52 x 9.78 x 2.7 in)	545.2 x 334.8 x 72.9 mm (21.46 x 13.18 x 2.87 in)
Panel Cut	305 x 212 mm (12.01 x 8.35 in)	385 x 239 mm (15.16 x 9.41 in)	536 x 326 mm (21.10 x 12.83 in)
Weight	2.8 kg (6.17 lb)	3.6 kg (7.94 lb)	6.6 kg (14.55 lb)
VESA Mount	100 x 100 mm (3.94 x 3.94 in)		

Spec Drawings

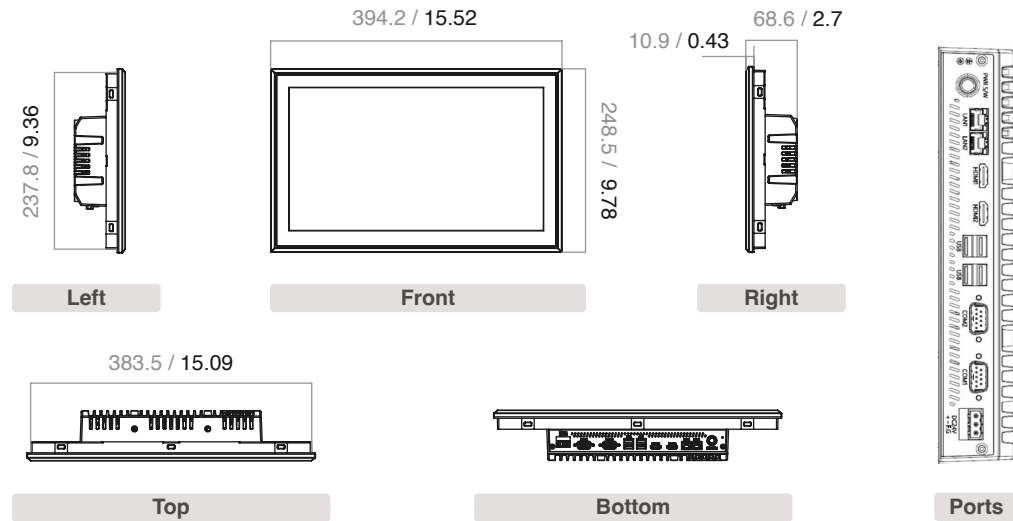
All iNP-71112W Models

Units: mm / in



All iNP-71115W Models

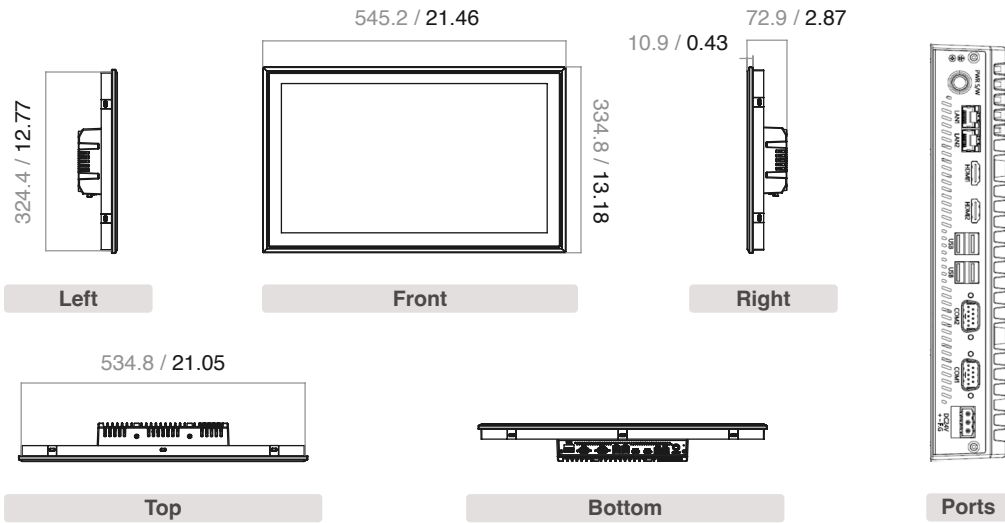
Units: mm / in



Spec Drawings

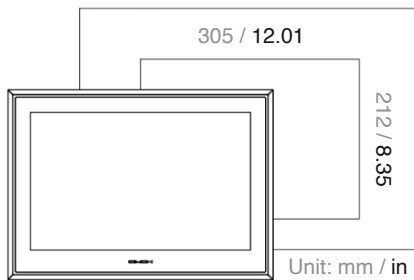
All iNP-71121W Models

Units: mm / in



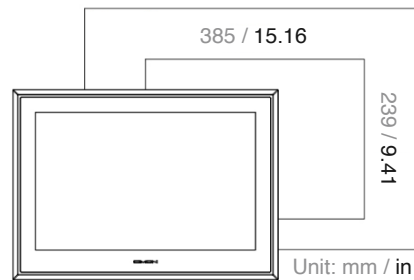
Installation

All iNP-71112W Models



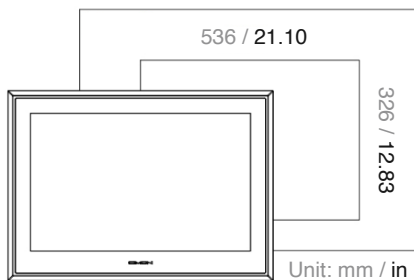
Panel Cut

All iNP-71115W Models



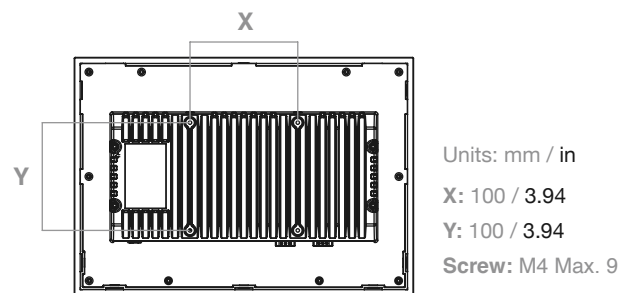
Panel Cut

All iNP-71121W Models



Panel Cut

All 7000 Series Models



VESA Mount